

## Red and white magazine holder

### Sewing instruction

Size 30 cm x 55 cm (12" x 22"), circumference of each roll 60 cm (24")

You need:

Red felt 1.80 m x 0.30 m (72" x 12"), 3 mm (1/8") thick

White leather or imitation leather 1.00 m x 0.80 m (40" x 32")

Firm leather interfacing 0.65 m x 0.80 m (26" x 32")

Spray textile glue\*

Matching white and red sewing thread\*

Non-stick presser foot\* (separate accessory)

4 silver-colored metal eyelets, Ø 14 mm (approx. 5/8")

Rotary cutter\* and cutting mat\*

Fabric marker\*

\*Available at your Pfaff dealer

### 1 PATTERN

The pattern is available further down in this document.

### 2 CUTTING

**Felt:** Cut 1 piece, 1.80 m x 0.30 m (72" x 12")

**Leather:** Cut 2 pieces, each 0.60 m x 0.30 m (24" x 12"), and interface, Cut 1 large oval, 1 medium oval, and 2 small ovals

**Tip:** Use a ballpoint pen to draw the ovals on the wrong side of the leather!

### 3 SEWING

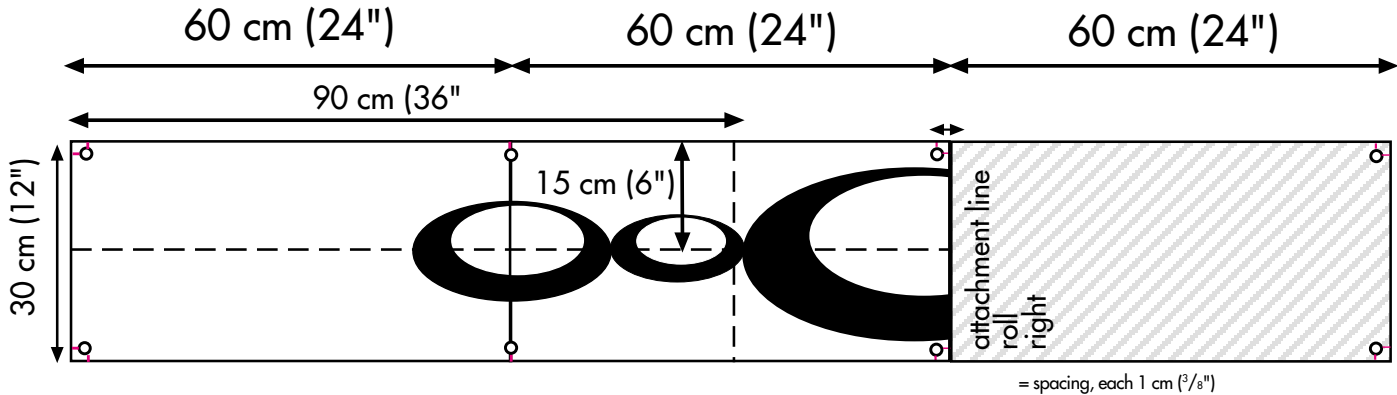
Use the fabric marker to draw the attachment line for each roll and to draw placement crosses for the ovals (see pattern) on both sides of the felt. Spray the backside of each leather oval with the spray glue. Lay ovals on felt piece as shown on pattern. Attach the non-stick presser foot.

Thread the needle with white sewing thread. Use red bobbin thread. Edgestitch the leather ovals to the felt. Lay the interfaced leather pieces on both sides of the felt piece (see pattern). Edgestitch upper edge of each leather piece in place.

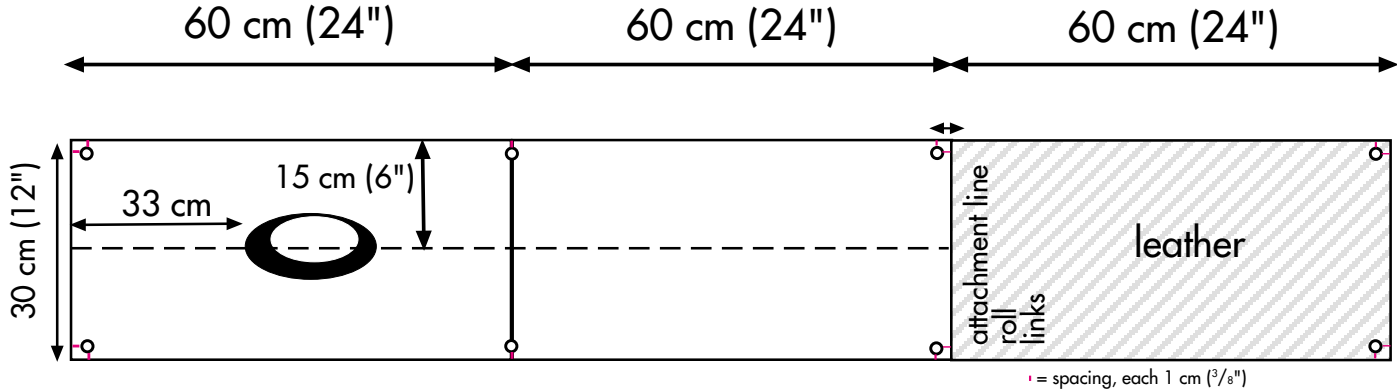
With the right side of the felt piece facing you, roll the left end back to the marked attachment line (the leather is on the inside of the roll). Pin or glue edge in place.

Insert metal eyelets in upper and lower corner of edge to attach. Now turn the felt piece so that the roll is on the right-hand side. Roll the left end back to the marked attachment line and continue as described above.

Set a cylindrical container in each roll. Place something heavy on the bottom to weight the magazine holder down.



motif placement, front side



motif placement, back side